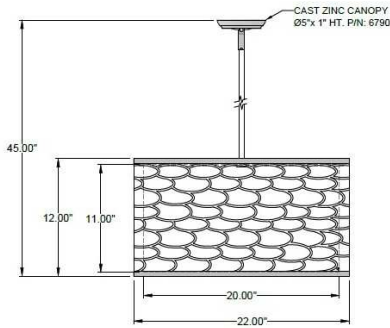
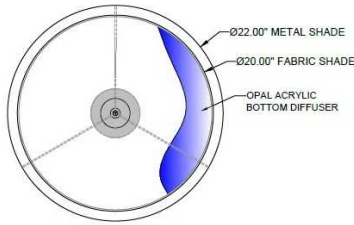




1233 W St. Georges Ave., Linden, NJ 07036 * 908-925-7500* 908-925-9240

SPECIFICATIONS



PD-5855-LCM-3LT-862S-GLWH	Pendant
Model Number	Type
Scales Laser Cut Drum	
Name	Project
	QTY



Describe Special Modifications

Warranty: 1-Year Limited Warranty.
Complete warranty terms located at: www.litetopslampshades.com

CATALOG NUMBER Example: PD-5855-LCM-3LT-862S-GLWH -GU24X3-120V						
Hardware Style Code	Fabric/Material/Color Options	Series Code	Finish Options	Lamping	Voltage	Other Size Options
PD-5855	Outer LCM - Laser Cut Metal More options at www.litetopslampshades.com	862S	APW - Aged Pewter GLWH - Gloss White MBK - Matte Black OB - Oil Rubbed Bronze SN - Satin Nickel SVPC - Silver Powder Coat OCB - Oculux Bronze	E12X3 - 3 Candelabra GU24X3 - 3GU24 CFL	120V 120V 277V 277V	