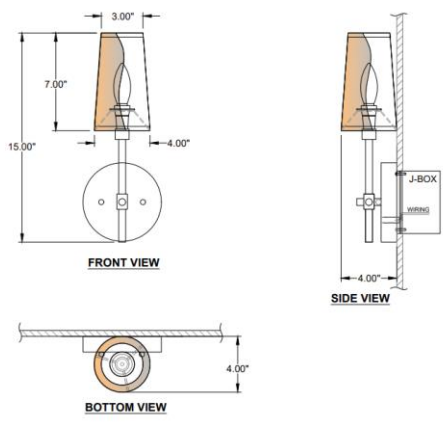




1233 W St. Georges Ave., Linden, NJ 07036 * 908-925-7500* 908-925-9240

SPECIFICATIONS



WF-A099-8ST-MBK	Sconce
Model Number	Type
ADA Sconce	
Name	Project
	QTY



Describe Special Modifications

Warranty: 1-Year Limited Warranty,
Complete warranty terms located at: www.litetopslampshades.com

CATALOG NUMBER Example: WF-A099-8ST-115-01-MBK-E12X1-120V						
Hardware Style Code	Fabric/Material/Color Options	Series Code	Finish Options	Lamping	Voltage	Other Size Options
WF-A099-8ST	115-01 – White Linen 115-05 – Off White Linen 115-62 – Black Linen 115-73 – Gray Butcher Linen 115-96 – Red Linen 124-70 – Teal Pongee Silk 136-50 – Platinum Silkscreen 142-01 – Global White 143-26 – Geneva Linen Ash 145-09 – Cream Aberdeen 174-21 – Tan Silk Shantung 174-25 – Chocolate Silk Shantung More options at www.litetopslampshades.com		APW - Aged Pewter GWH - Gloss White MBK - Matte Black OB - Oil Rubbed Bronze RST – Rust SGD – Sun Gold SN – Satin Nickel SVPC – Silver powder coat!	E12X1 - 1 Candelabra GU24X1 - 1 GU24 CFL LEDMOD2700K - LED Module, 2700K, 840 LM Per Board LEDMOD3000K – LED Module, 3000K, 1028 LM Per Board LEDMOD3500K – LED Module, 3500K, 1057 LM Per Board LEDMOD4000K – LED Module, 4000K, 1087 LM Per Board (Accepts 1 Board)	120V 120V 277V 277V	