



1233 W St. Georges Ave., Linden, NJ 07036 * 908-925-7500* 908-925-9240

SPECIFICATIONS

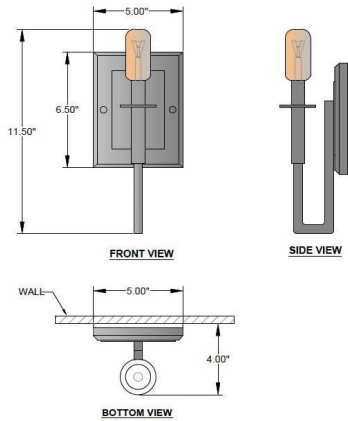


WF-N5628-X1-MBK	Sconce
Model Number	Type
ADA Sconces	
Name	Project
	QTY



Describe Special Modifications

Warranty: 1-Year Limited Warranty.
Complete warranty terms located at: www.litetopslampshades.com



CATALOG NUMBER
Example: WF-N5628-X1-MBK-GU24X1-120V

Hardware Style Code	Fabric/Material/Color Options	Series Code	Finish Options	Lamping	Voltage	Other Size Options
WF-N5628-X1			APW - Aged Pewter GWH - Gloss White MBK - Matte Black OB - Oil Rubbed Bronze SN - Satin Nickel	E12X1 - 1 Candelabra GU24X1 - 1 GU24 CFL	120V 120V	