



1233 W St. Georges Ave., Linden, NJ 07036 * 908-925-7500* 908-925-9240

SPECIFICATIONS

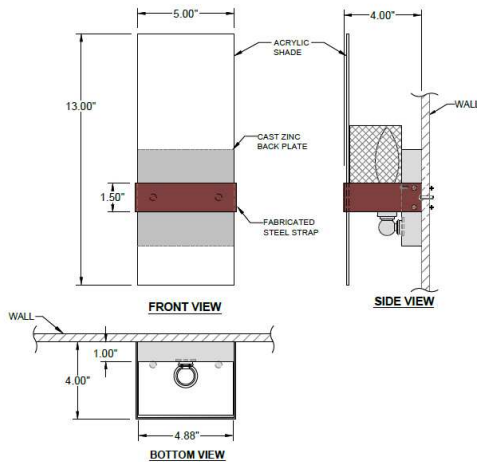


WF-K54-OPACR-OB	Sconce
Model Number	Type
ADA Sconce	
Name	Project
	QTY



Describe Special Modifications

Warranty: 1-Year Limited Warranty.
 Complete warranty terms located at: www.litetopslampshades.com



CATALOG NUMBER Example: WF-K54-OPACR-OB-LEDMOD2700K-120V						
Hardware Style Code	Fabric/Material/Color Options	Series Code	Finish Options	Lamping	Voltage	Other Size Options
WF-K54	OPACR – Opal Acrylic		AB - Antique Brass APW- Aged Pewter DW- Distressed White GWH - Gloss White MBK - Matte Black OB- Oxidized Bronze OCB – Oculux Bronze ORB - Oil Rubbed Bronze PHB - Polished Honey Brass PW- Pewter RST - Rust SN - Satin Nickel WH - Flat White SVPC - Powder Coat Silver More options at www.litetops.com	E12X1 - 1 Candelabra GU24X1 - 1 GU24 CFL LEDMOD2700K - LED Module, 2700K, 840 LM Per Board LEDMOD3000K - LED Module, 3000K, 1028 LM Per Board LEDMOD3500K - LED Module, 3500K, 1057 LM Per Board LEDMOD4000K - LED Module, 4000K, 1087 LM Per Board (Accepts 1 Board)	120V 120V 277V 277V	