



1233 W St. Georges Ave., Linden, NJ 07036 \* 908-925-7500\* 908-925-9240

**SPECIFICATIONS**

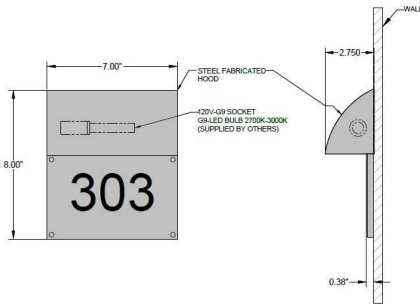


<b>WF-CUS8X7-LCM-RM#-AB</b>	<b>Sconce</b>
Model Number	Type
<b>Room Number Sconce</b>	
Name	Project
	QTY



**Describe Special Modifications**

**Warranty:** 1-Year Limited Warranty,  
Complete warranty terms located at: [www.litetopslampshades.com](http://www.litetopslampshades.com)



CATALOG NUMBER Example: WF-CUS8X7-LCM-RM#-AB -E12X1-120V						
Hardware Style Code	Fabric/Material/Color Options	Series Code	Finish Options	Lamping	Voltage	Other Size Options
WF-CUS8X7		RM#	<b>AB</b> - Antique Brass <b>APW</b> - Aged Pewter <b>DW</b> - Distressed White <b>GWH</b> - Gloss White <b>MBK</b> - Matte Black <b>OB</b> - Oxidized Bronze <b>OCB</b> - Oculux Bronze <b>ORB</b> - Oil Rubbed Bronze <b>PHB</b> - Polished Honey Brass <b>PW</b> - Pewter <b>RST</b> - Rust <b>SN</b> - Satin Nickel <b>WH</b> - Flat White <b>SVPC</b> - Powder Coat Silver <b>More options at</b> <a href="http://www.litetops.com">www.litetops.com</a>	<b>E12X1 -1</b> Candelabra Based <b>GU24X1 -1</b> GU24 CFL <b>LEDMOD2700K</b> - LED Module, 2700K, 840 LM Per Board <b>LEDMOD3000K</b> - LED Module, 3000K, 1028 LM Per Board <b>LEDMOD3500K</b> - LED Module, 3500K, 1057 LM Per Board <b>LEDMOD4000K</b> - LED Module, 4000K, 1087 LM Per Board (Accepts 1 Board)	<b>120V</b> 120V <b>277V</b> 277V	