



1233 W St. Georges Ave., Linden, NJ 07036 * 908-925-7500* 908-925-9240

SPECIFICATIONS

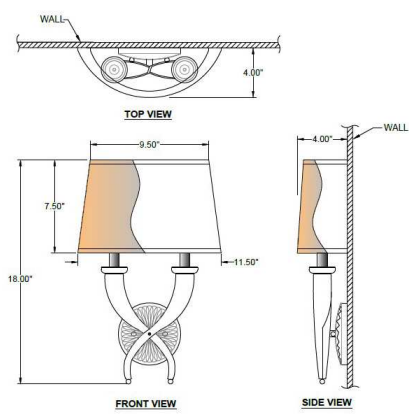


WF-C134-1355-115-01-OB	Sconce
Model Number	Type
Sconces	
Name	Project
	QTY



Describe Special Modifications

Warranty: 1-Year Limited Warranty,
Complete warranty terms located at: www.litetopslampshades.com



CATALOG NUMBER						
Example:WF-C134-1355-115-01-OB-LEDMOD2700K-120V						
Hardware Style Code	Fabric/Material/Color Options	Series Code	Finish Options	Lamping	Voltage	Other Size Options
WF-C134-1355	115-01 White Linen 115-05 Off White Linen 115-62 Black Linen 115-73 Gray Butcher Linen 115-96 Red Linen 124-70 Teal Pongee Silk 136-50 Platinum Silkscreen 142-01 Global White 143-26 Geneva Linen Ash 145-01 White Aberdeen 145-09 Cream Aberdeen 174-21 Tan Silk Shantung 174-25 Chocolate Silk Shantung More options at www.litetopslampshades.com		AB - Antique Brass APW- Aged Pewter DW- Distressed W/white GWH - Gloss White MBK - Matte Black OB- Oxidized Bronze ORB - Oil Rubbed Bronze PHB - Polished Honey Brass PW- Pewter RST - Rust SN - Satin Nickel WH - Flat White SVPC -Powder Coat Silver More options at www.litetops.com	E12X2- 2 Candelabra GU24X2 - 2 GU24 CFL LEDMOD2700K - LED Module, 2700K, 840 LM Per Board LEDMOD3000K - LED Module, 3000K, 1028 LM Per Board LEDMOD3500K - LED Module, 3500K, 1057 LM Per Board LEDMOD4000K - LED Module, 4000K, 1087 LM Per Board (Accepts 1 Board)	120V 120V 277V 277V	