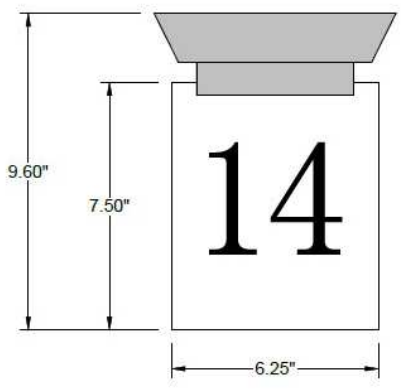




1233 W St. Georges Ave., Linden, NJ 07036 * 908-925-7500* 908-925-9240

SPECIFICATIONS



WF-CUS-CLACR-RM#-SVPC	Sconce
Model Number	Type
Room Number Sconce	
Name	Project
	QTY



Describe Special Modifications

Warranty: 1-Year Limited Warranty,
Complete warranty terms located at: www.litetopslampshades.com

CATALOG NUMBER Example: WF-CUS-CLACR-RM#-SVPC -E12X2-120V						
Hardware Style Code	Fabric/Material/Color Options	Series Code	Finish Options	Lamping	Voltage	Other Size Options
WF-CUS-	CLACR – Clear Acrylic	RM#	AB - Antique Brass APW - Aged Pewter DW - Distressed White GWH - Gloss White MBK - Matte Black OB - Oxidized Bronze OCB – Oculx Bronze ORB - Oil Rubbed Bronze PHB - Polished Honey Brass PW - Pewter RST - Rust SN - Satin Nickel WH - Flat White SVPC - Powder Coat Silver More options at www.litetops.com	LEDMOD6000K - LED Module, 6000K, 60-LM Per Board (Accepts 1 Board)	120V 120V 277V 277V	