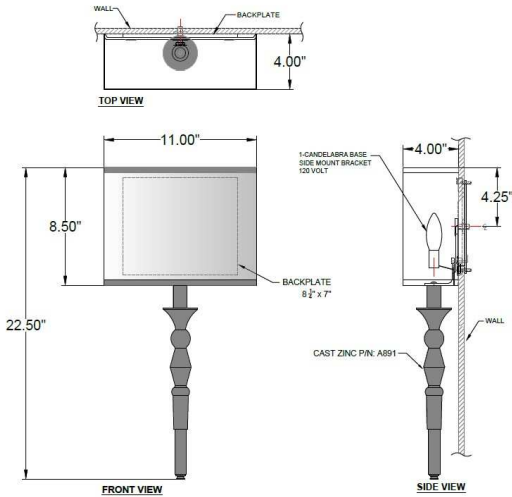




1233 W St. Georges Ave., Linden, NJ 07036 \* 908-925-7500\* 908-925-9240

**SPECIFICATIONS**



<b>WF-A891-115-01-OB</b>	<b>Sconce</b>
Model Number	Type
<b>Sconce</b>	Project
Name	QTY



**Describe Special Modifications**

**Warranty:** 1-Year Limited Warranty.  
Complete warranty terms located at: [www.litetopslampshades.com](http://www.litetopslampshades.com)

CATALOG NUMBER Example: WF-A891-115-01-OB-LEDMOD2700K-120V						
Hardware Style Code	Fabric/Material/Color Options	Series Code	Finish Options	Lamping	Voltage	Other Size Options
<b>WF-A891</b>	115-01 White Linen 115-05 Off White Linen 115-62 Black Linen 115-73 Gray Butcher Linen 115-96 Red Linen 124-70 Teal Pongee Silk 136-50 Platinum Silkscreen 142-01 Global White 143-26 Geneva Linen Ash 145-01 White Aberdeen 145-09 Cream Aberdeen 174-21 Tan Silk Shantung 174-25 Chocolate Silk Shantung <b>More options at</b> <a href="http://www.litetopslampshades.com">www.litetopslampshades.com</a>		<b>AB</b> - Antique Brass <b>APW</b> - Aged Pewter <b>DW</b> - Distressed White <b>GWH</b> - Gloss White <b>MBK</b> - Matte Black <b>OB</b> - Oxidized Bronze <b>OCB</b> - Oculux Bronze <b>ORB</b> - Oil Rubbed Bronze <b>PHB</b> - Polished Honey Brass <b>PW</b> - Pewter <b>RST</b> - Rust <b>SN</b> - Satin Nickel <b>WH</b> - Flat White <b>SVPC</b> - Powder Coat Silver <b>More options at</b> <a href="http://www.litetops.com">www.litetops.com</a>	<b>E12X1</b> - 1 Candelabra <b>GU24X1</b> - 1 GU24 CFL <b>LEDMOD2700K</b> - LED Module, 2700K, 840 LM Per Board <b>LEDMOD3000K</b> - LED Module, 3000K, 1028 LM Per Board <b>LEDMOD3500K</b> - LED Module, 3500K, 1057 LM Per Board <b>LEDMOD4000K</b> - LED Module, 4000K, 1087 LM Per Board (Accepts 1 Board)	<b>120V</b> 120V <b>277V</b> 277V	