



1233 W St. Georges Ave., Linden, NJ 07036 * 908-925-7500* 908-925-9240

SPECIFICATIONS

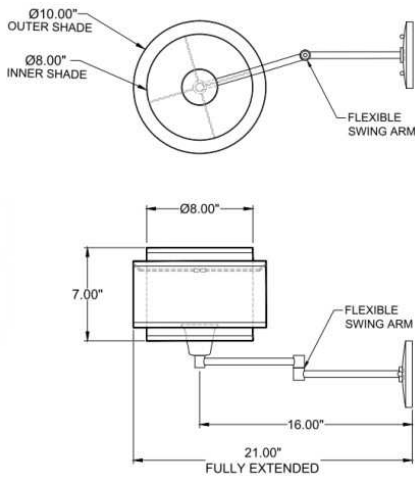


| | |
|-----------------------------|---------------|
| WF-6792-151-56-229OB | Scence |
| Model Number | Type |
| Saturn Rings | |
| Name | Project |
| | QTY |



Describe Special Modifications

Warranty: 1-Year Limited Warranty.
Complete warranty terms located at: www.litetopslampshades.com



| CATALOG NUMBER | | | | | | |
|--|--|-------------|--|---|----------------------------|--------------------|
| Example: WF-6792-151-56-229OB-LEDMOD2700K-120V | | | | | | |
| Hardware Style Code | Fabric/Material/Color Options | Series Code | Finish Options | Lamping | Voltage | Other Size Options |
| WF-6792 | 115-01 White Linen 115-05 Off White Linen 115-62 Black Linen 115-73 Gray Butcher Linen 115-96 Red Linen 124-70 Teal Pongee Silk 136-50 Platinum Silkscreen 142-01 Global White 143-26 Geneva Linen Ash 145-01 White Aberdeen 145-09 Cream Aberdeen 174-21 Tan Silk Shantung 174-25 Chocolate Silk Shantung More options at www.litetopslampshades.com | 229 | APW - Aged Pewter GWH - Gloss White MBK - Matte Black OB - Oil Rubbed Bronze SN - Satin Nickel FG - French Gold | E26X1 - 1 Medium Based GU24X1 - 1 GU24 CFL LEDMOD2700K - LED Module, 2700K, 969 LM Per Board LEDMOD3000K - LED Module, 3000K, 1012 LM Per Board LEDMOD3500K - LED Module, 3500K, 1022 LM Per Board LEDMOD4000K - LED Module, 4000K, 1065 LM Per Board (Accepts 1 Board) | 120V 120V 277V 277V | |