



1233 W St. Georges Ave., Linden, NJ 07036 \* 908-925-7500\* 908-925-9240

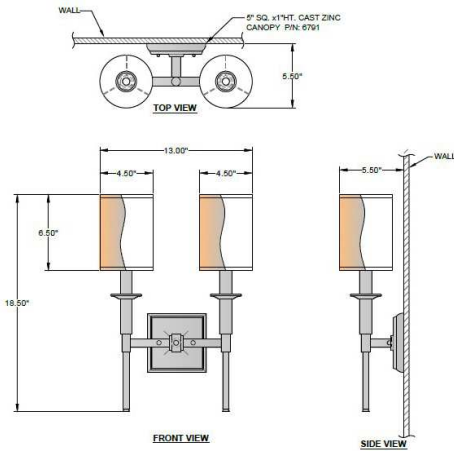
**SPECIFICATIONS**

<b>WF-6791-115-01-X2-SN</b>	<b>Sconce</b>
Model Number	Type
<b>Sconce</b>	
Name	Project
	QTY



**Describe Special Modifications**

**Warranty:** 1-Year Limited Warranty.  
Complete warranty terms located at: [www.litetopslampshades.com](http://www.litetopslampshades.com)



**CATALOG NUMBER**  
Example: WF-6791-115-01-X2-SN-E12X2-120V

Hardware Style Code	Fabric/Material/Color Options	Series Code	Finish Options	Lamping	Voltage	Other Size Options
WF-6791	115-01 White Linen 115-05 Off White Linen 115-62 Black Linen 115-73 Gray Butcher Linen 115-96 Red Linen 124-70 Teal Pongee Silk 136-50 Platinum Silkscreen 142-01 Global White 143-26 Geneva Linen Ash 145-01 White Aberdeen 145-09 Cream Aberdeen 174-21 Tan Silk Shantung 174-25 Chocolate Silk Shantung More options at <a href="http://www.litetopslampshades.com">www.litetopslampshades.com</a>	X2	APW - Aged Pewter GWH- Gloss White MBK - Matte Black OB- Oil Rubbed Bronze SN - Satin Nickel	E12x2 - 2 Candelabra Based GU24X2 - 2 GU24 CFL	120V 120V 277V 277V	