



1233 W St. Georges Ave., Linden, NJ 07036 \* 908-925-7500\* 908-925-9240

**SPECIFICATIONS**

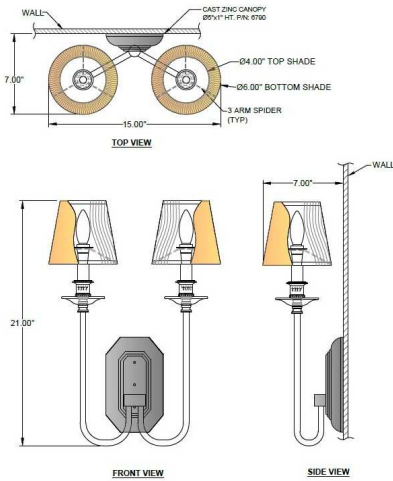


<b>WF-6785-115-05PL-887FG</b>	<b>Sconce</b>
Model Number	Type
<b>Country Club</b>	
Name	Project
	QTY



**Describe Special Modifications**

**Warranty:** 1-Year Limited Warranty.  
Complete warranty terms located at: [www.litetopslampshades.com](http://www.litetopslampshades.com)



CATALOG NUMBER Example: WF-6785-115-05PL-887FG-E12X1-120V						
Hardware Style Code	Fabric/Material/Color Options	Series Code	Finish Options	Lamping	Voltage	Other Size Options
WF-6785	115-01 White Linen 115-05 Off White Linen 115-62 Black Linen 115-73 Gray Butcher Linen 115-96 Red Linen 124-70 Teal Pongee Silk 136-50 Platinum Silkscreen 142-01 Global White 143-26 Geneva Linen Ash 145-01 White Aberdeen 145-09 Cream Aberdeen 174-21 Tan Silk Shantung 174-25 Chocolate Silk Shantung <b>More options at</b> <a href="http://www.litetopslampshades.com">www.litetopslampshades.com</a>	887	<b>APW</b> - Aged Pewter <b>GWH</b> - Gloss White <b>MBK</b> - Matte Black <b>OB</b> - Oil Rubbed Bronze <b>SN</b> - Satin Nickel <b>FG</b> - French Gold	<b>E12X2</b> - 2 Candelabra Based <b>GU24X2</b> - 2 GU24 CFL	<b>120V</b> 120V <b>277V</b> 277V	