



1233 W St. Georges Ave., Linden, NJ 07036 * 908-925-7500* 908-925-9240

SPECIFICATIONS



SWF-6533X-115-01-GN6RC-OB Sconce
 Model Number Type

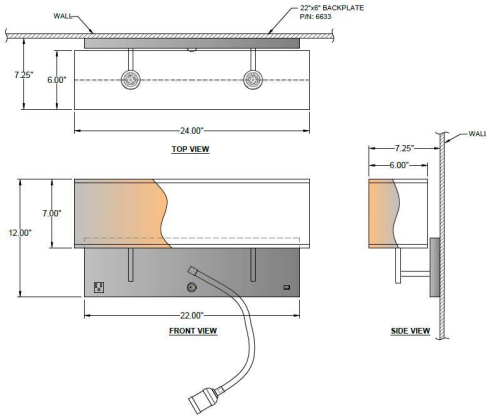
Swing Arm Sconce
 Name Project

QTY



Describe Special Modifications

Warranty: 1-Year Limited Warranty,
 Complete warranty terms located at: www.litetopslampshades.com



CATALOG NUMBER Example: SWF-6533X-115-01-GN6RC-OB-E12X2-120V						
Hardware Style Code	Fabric/Material/Color Options	Series Code	Finish Options	Lamping	Voltage	Other Size Options
SWF-6533X	115-01 White Linen 115-05 Off White Linen 115-62 Black Linen 115-73 Gray Butcher Linen 115-96 Red Linen 124-70 Teal Pongee Silk 136-50 Platinum Silkscreen 142-01 Global White 143-26 Geneva Linen Ash 145-01 White Aberdeen 145-09 Cream Aberdeen 174-21 Tan Silk Shantung 174-25 Chocolate Silk Shantung More options at www.litetopslampshades.com	GN6RC	AB - Antique Brass APW - Aged Pewter DW - Distressed White GWH - Gloss White MBK - Matte Black OB - Oxidized Bronze OCB - Oculux Bronze ORB - Oil Rubbed Bronze PHB - Polished Honey Brass PW - Pewter RST - Rust SN - Satin Nickel FWH - Flat White SVPC - Powder Coat Silver More options at www.litetops.com	E12X2 - 2 Candelabra GU24X2 - 2 GU24 CFL Goose Neck: LED 3W, 2700K	120V 120V	