



1233 W St. Georges Ave., Linden, NJ 07036 \* 908-925-7500\* 908-925-9240

**SPECIFICATIONS**

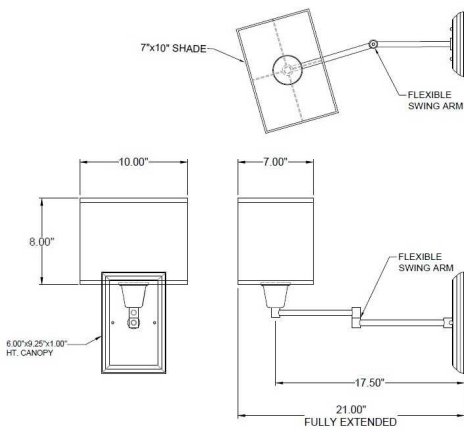


<b>WF-6531-143-26-139SN</b>	<b>Sconce</b>
Model Number	Type
<b>Rectangle</b>	
Name	Project
	QTY



**Describe Special Modifications**

**Warranty:** 1-Year Limited Warranty.  
Complete warranty terms located at: [www.litetopslampshades.com](http://www.litetopslampshades.com)



CATALOG NUMBER Example: WF-6531-143-26-139SN-LEDMOD2700K-120V						
Hardware Style Code	Fabric/Material/Color Options	Series Code	Finish Options	Lamping	Voltage	Other Size Options
<b>WF-6531</b>	<b>115-01</b> White Linen <b>115-05</b> Off White Linen <b>115-62</b> Black Linen <b>115-73</b> Gray Butcher Linen <b>115-96</b> Red Linen <b>124-70</b> Teal Pongee Silk <b>136-50</b> Platinum Silkscreen <b>142-01</b> Global White <b>143-26</b> Geneva Linen Ash <b>145-01</b> White Aberdeen <b>145-09</b> Cream Aberdeen <b>174-21</b> Tan Silk Shantung <b>174-25</b> Chocolate Silk Shantung <b>More options at</b> <a href="http://www.litetopslampshades.com">www.litetopslampshades.com</a>	<b>139</b>	<b>APW</b> - Aged Pewter <b>GWH</b> - Gloss White <b>MBK</b> - Matte Black <b>OB</b> - Oil Rubbed Bronze <b>SN</b> - Satin Nickel	<b>E26X1</b> - 1 Medium Based <b>GU24X1</b> - 1 GU24 CFL <b>LEDMOD2700K</b> - LED Module, 2700K, 969 LM Per Board <b>LEDMOD3000K</b> - LED Module, 3000K, 1012LM Per Board <b>LEDMOD3500K</b> - LED Module, 3500K, 1022 LM Per Board <b>LEDMOD4000K</b> - LED Module, 4000K, 1065 LM Per Board (Accepts 1 Board)	<b>120V</b> 120V <b>277V</b> 277V	