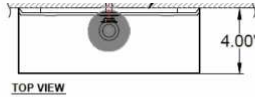




1233 W St. Georges Ave., Linden, NJ 07036 * 908-925-7500* 908-925-9240

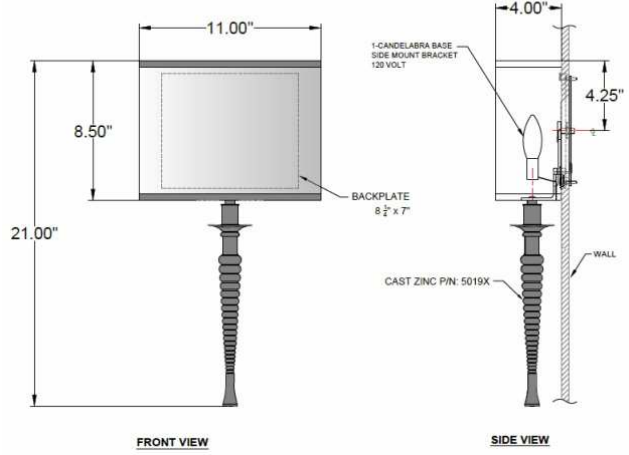
SPECIFICATIONS

WF-5019X-GL	Sconce
Model Number	Type
ADA Sconce	
Name	Project
	QTY



Describe Special Modifications

Warranty: 1-Year Limited Warranty,
Complete warranty terms located at: www.litetopslampshades.com



CATALOG NUMBER Example:WF-5019X-GL-LEDMOD2700K-120V						
Hardware Style Code	Fabric/Material/Color Options	Series Code	Finish Options	Lamping	Voltage	Other Size Options
WF-5019X	115-01 White Linen 115-05 Off White Linen 115-62 Black Linen 115-73 Gray Butcher Linen 115-96 Red Linen 124-70 Teal Pongee Silk 136-50 Platinum Silkscreen 142-01 Global White 143-26 Geneva Linen Ash 145-01 White Aberdeen 145-09 Cream Aberdeen 174-21 Tan Silk Shantung 174-25 Chocolate Silk Shantung More options at www.litetopslampshades.com		APW - Aged Pewter GLWH - Gloss White MBK - Matte Black OB - Oil Rubbed Bronze SN - Satin Nickel SVPC - Silver Powder Coat OCB - Oculux Bronze GL - Gold Leaf	E12X1 -1 Candelabra GU24X1 - 1 GU24 CFL LEDMOD2700K - LED Module, 2700K, 840 LM Per Board LEDMOD3000K - LED Module, 3000K, 1028 LM Per Board LEDMOD3500K - LED Module, 3500K, 1057 LM Per Board LEDMOD4000K - LED Module, 4000K, 1087 LM Per Board (Accepts 1 Board)	120V 120V 277V 277V	