



1233 W St. Georges Ave., Linden, NJ 07036 * 908-925-7500* 908-925-9240

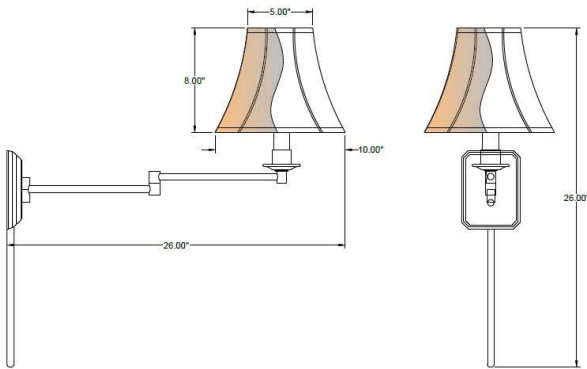
SPECIFICATIONS

SWF-6530-N2545-AB	Sconce
Model Number	Type
Swing Arm Sconce	Project
Name	QTY



Describe Special Modifications

Warranty: 1-Year Limited Warranty,
Complete warranty terms located at: www.litetopslampshades.com



CATALOG NUMBER Example: SWF-6530-N2545-AB-E26X1-120V						
Hardware Style Code	Fabric/Material/Color Options	Series Code	Finish Options	Lamping	Voltage	Other Size Options
SWF-6530	115-01 White Linen 115-05 Off White Linen 115-62 Black Linen 115-73 Gray Butcher Linen 115-96 Red Linen 124-70 Teal Pongee Silk 136-50 Platinum Silkscreen 142-01 Global White 143-26 Geneva Linen Ash 145-01 White Aberdeen 145-09 Cream Aberdeen 174-21 Tan Silk Shantung 174-25 Chocolate Silk Shantung More options at www.litetopslampshades.com		AB - Antique Brass APW- Aged Pewter DW- Distressed White GWH - Gloss White MBK - Matte Black OB- Oxidized Bronze OCB - Oculux Bronze ORB - Oil Rubbed Bronze PHB - Polished Honey Brass PW- Pewter RST - Rust SN - Satin Nickel WH - Flat White SVPC - Powder Coat Silver More options at www.litetops.com	E26X1 -1 Candelabra GU24X1 - 1 GU24 CFL	120V 120V 277V 277V	