

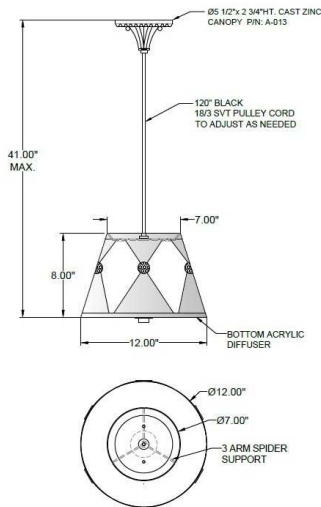


1233 W St. Georges Ave., Linden, NJ 07036 * 908-925-7500* 908-925-9240

SPECIFICATIONS



| | |
|-----------------------------|----------------|
| PD-A013-189-18-560OB | Pendant |
| Model Number | Type |
| Draped | |
| Name | Project |
| | QTY |



Describe Special Modifications

Warranty: 1-Year Limited Warranty,
Complete warranty terms located at: www.litetopslampshades.com

| CATALOG NUMBER | | | | | | |
|---|--|-------------|---|---|------------------------|--------------------|
| Example: PD-A013-189-18-560OB -LEDMOD3000K-120V | | | | | | |
| Hardware Style Code | Fabric/Material/Color Options | Series Code | Finish Options | Lamping | Voltage | Other Size Options |
| PD-A013 | 115-01 White Linen 115-05 Off White Linen 115-62 Black Linen 115-73 Gray Butcher Linen 115-96 Red Linen 124-70 Teal Pongee Silk 136-50 Platinum Silkscreen 142-01 Global White 143-26 Geneva Linen Ash 145-01 White Aberdeen 145-09 Cream Aberdeen 174-21 Tan Silk Shantung 174-25 Chocolate Silk Shantung More options at www.litetopslampshades.com | 560 | APW - Aged Pewter GWH - Gloss White MBK - Matte Black OB - Oil Rubbed Bronze SN - Satin Nickel | E26X2 - 2 Medium Based GU24X2 2 GU24 CFL LEDMOD2700K - LED Module, 2700K, 2600 LM Per Board LEDMOD3000K - LED Module, 3000K, 2680 LM Per Board LEDMOD3500K - LED Module, 3500K, 2720 LM Per Board LEDMOD4000K - LED Module, 4000K, 2820 LM Per Board | 120V 120V 277V 277V | |