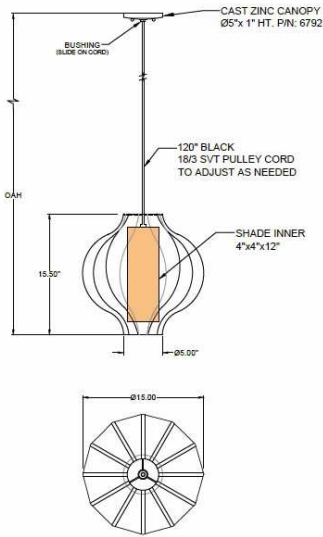




1233 W St. Georges Ave., Linden, NJ 07036 * 908-925-7500* 908-925-9240

SPECIFICATIONS



PD-6792-115-05-671RD	Pendant
Model Number	Type
Tango	
Name	Project
	QTY



Describe Special Modifications

Warranty: 1-Year Limited Warranty.
Complete warranty terms located at: www.litetopslampshades.com

CATALOG NUMBER Example: PD-6792-115-05-671RD-LEDMOD2700K-120V						
Hardware Style Code	Fabric/Material/Color Options	Series Code	Finish Options	Lamping	Voltage	Other Size Options
PD-6792	115-01 White Linen 115-05 Off White Linen 115-62 Black Linen 115-73 Gray Butcher Linen 115-96 Red Linen 124-70 Teal Pongee Silk 136-50 Platinum Silkscreen 142-01 Global White 143-26 Geneva Linen Ash 145-01 White Aberdeen 145-09 Cream Aberdeen 174-21 Tan Silk Shantung 174-25 Chocolate Silk Shantung More options at www.litetopslampshades.com	671	APW - Aged Pewter GWH- Gloss White MBK - Matte Black OB- Oil Rubbed Bronze SN - Satin Nickel	E26X1 - 1 Medium Based GU24X1 - 1 GU24 CFL LEDMOD2700K - LED Module, 2700K, 969 LM Per Board LEDMOD3000K - LED Module, 3000K, 1012 LM Per Board LEDMOD3500K - LED Module, 3500K, 1022 LM Per Board LEDMOD4000K - LED Module, 4000K, 1065 LM Per Board (Accepts 1 Board)	120V 120V 277V 277V	