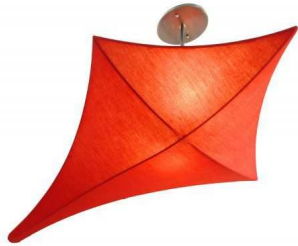




1233 W St. Georges Ave., Linden, NJ 07036 * 908-925-7500* 908-925-9240

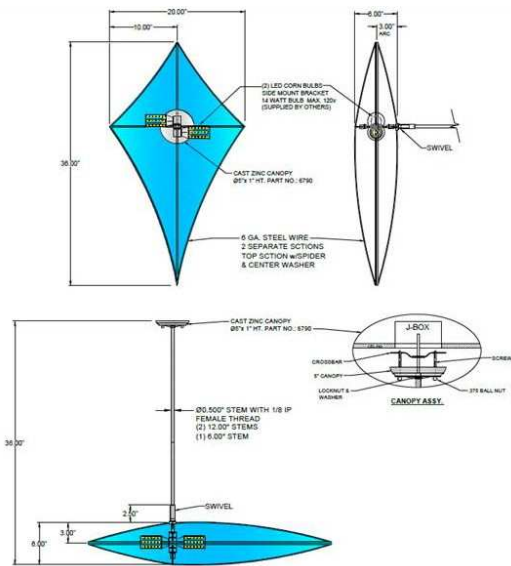
SPECIFICATIONS

PD-6773-115-96-KITE-SN	Pendant
Model Number	Type
Kite	Project
Name	QTY



Describe Special Modifications

Warranty: 1-Year Limited Warranty,
Complete warranty terms located at: www.litetopslampshades.com



CATALOG NUMBER Example: PD-6773-115-96-KITE-SN -LEDMOD2700K-120V						
Hardware Style Code	Fabric/Material/Color Options	Series Code	Finish Options	Lamping	Voltage	Other Size Options
PD-6773	115-01 White Linen 115-05 Off White Linen 115-62 Black Linen 115-73 Gray Butcher Linen 115-96 Red Linen 124-70 Teal Pongee Silk 136-50 Platinum Silkscreen 142-01 Global White 143-26 Geneva Linen Ash 145-01 White Aberdeen 145-09 Cream Aberdeen 174-21 Tan Silk Shantung 174-25 Chocolate Silk Shantung More options at www.litetopslampshades.com	KITE	APW - Aged Pewter GWH - Gloss White MBK - Matte Black OB - Oil Rubbed Bronze SN - Satin Nickel	E26X2 - 2 Medium Based GU24X2 - 2 GU24 CFL LEDMOD2700K - LED Module, 2700K, 2600 LM Per Board LEDMOD3000K - LED Module, 3000K, 2680 LM Per Board LEDMOD3500K - LED Module, 3500K, 2720 LM Per Board LEDMOD4000K - LED Module, 4000K, 2820 LM Per Board	120V 120V 277V 277V	