



1233 W St. Georges Ave., Linden, NJ 07036 * 908-925-7500* 908-925-9240

SPECIFICATIONS

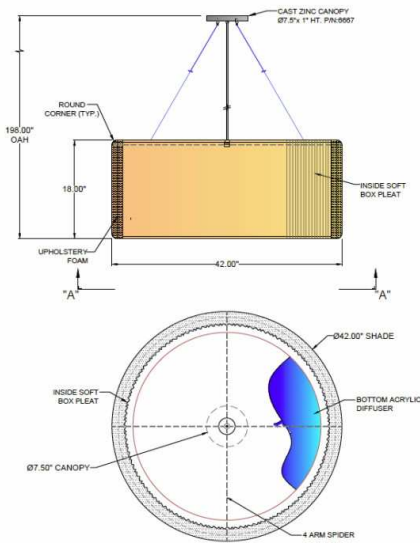


PD-6667-743-26-822SN	Pendant
Model Number	Type
Tranquillo	
Name	Project
	QTY



Describe Special Modifications

Warranty: 1-Year Limited Warranty.
Complete warranty terms located at: www.litetopslampshades.com



CATALOG NUMBER Example: PD-6667-743-26-822SN-LEDMOD2700K-120V						
Hardware Style Code	Fabric/Material/Color Options	Series Code	Finish Options	Lamping	Voltage	Other Size Options
PD-6667	715-01 White Linen 715-05 Off White Linen 715-62 Black Linen 715-73 Gray Butcher Linen 715-96 Red Linen 724-70 Teal Pongee Silk 736-50 Platinum Silkscreen 742-01 Global White 743-26 Geneva Linen Ash 745-01 White Aberdeen 745-09 Cream Aberdeen 774-21 Tan Silk Shantung 774-25 Chocolate Silk Shantung More options at www.litetopslampshades.com	822	APW - Aged Pewter GWH - Gloss White MBK - Matte Black OB - Oil Rubbed Bronze SN - Satin Nickel	E26X4 - 4 Medium Based GU24X4 - 4 GU24 CFL LEDMOD2700K - LED Module, 2700K, 2600 LM Per Board LEDMOD3000K - LED Module, 3000K, 2680 LM Per Board LEDMOD3500K - LED Module, 3500K, 2720 LM Per Board LEDMOD4000K - LED Module, 4000K, 2820 LM Per Board	120V 120V 277V 277V	