



1233 W St. Georges Ave., Linden, NJ 07036 * 908-925-7500* 908-925-9240

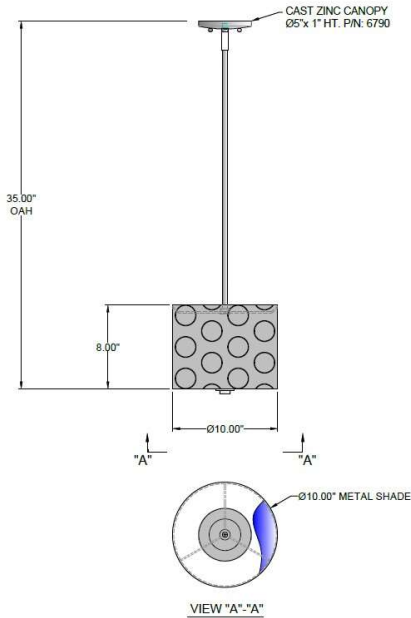
SPECIFICATIONS

PD-5855-LCMCI-2030-GWH	Type
Model Number	
Laser Cut Circles	Project
Name	
	QTY



Describe Special Modifications

Warranty: 1-Year Limited Warranty.
Complete warranty terms located at: www.litetopslampshades.com



CATALOG NUMBER Example: PD-5855-LCMCI-2030-GWH-E26X1-120V						
Hardware Style Code	Fabric/Material/Color Options	Series Code	Finish Options	Lamping	Voltage	Other Size Options
PD-5855	LCMCI - Laser Cut Metal (Circles) More options at www.litetops.com	2030	APW - Aged Pewter DB - Dark Bronze GWH - Gloss White MBK - Matte Black OB - Oil Rubbed Bronze OCB - Oculux Bronze SVPC - Silver Powder Coat SN - Satin Nickel	E26X1 - 1 Medium Based GU24X1 - 1 GU24 CFL LEDMOD2700K - LED Module, 2700K, 2600 LM Per Board LEDMOD3000K - LED Module, 3000K, 2680 LM Per Board LEDMOD3500K - LED Module, 3500K, 2720 LM Per Board LEDMOD4000K - LED Module, 4000K, 2820 LM Per Board (Accepts 1 LED Board Per Fixture)	120V 120V 277V 277V	