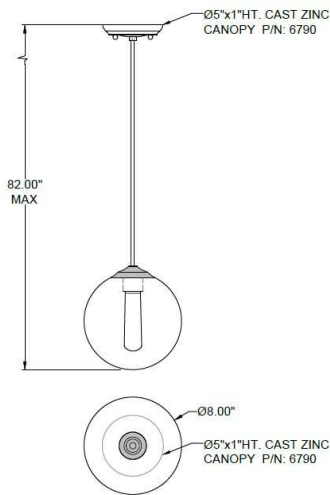




1233 W St. Georges Ave., Linden, NJ 07036 \* 908-925-7500\* 908-925-9240

**SPECIFICATIONS**



<b>PD-6790-8CLACR-SN</b>	<b>Pendant</b>
Model Number	Type
<b>Acrylic Globes</b>	
Name	Project
	QTY



**Describe Special Modifications**

Warranty: 1-Year Limited Warranty,  
Complete warranty terms located at: [www.litetopslampshades.com](http://www.litetopslampshades.com)

CATALOG NUMBER Example: PD-6790-8CLACR-SN -E26X1						
Hardware Style Code	Fabric/Material/Color Options	Series Code	Finish Options	Lamping	Voltage	Other Size Options
PD-6790	8 OPACR-8"Opal Acrylic 8 CLACR - 8" Clear Acrylic		AB - Antique Brass APW- Aged Pewter DW- Distressed White GWH - Gloss White MBK - Matte Black OB- Oxidized Bronze OCB- Oculux Bronze ORB - Oil Rubbed Bronze PHB - Polished Honey Brass PW- Pewter RST - Rust SN - Satin Nickel FWH - Flat White SVPC- Silver Powder Coat <b>More options at</b> <a href="http://www.stiffel.com">www.stiffel.com</a>	E26X1 - 1 Medium Based GU24X1- 1 GU24 CFL	120V 120V	