



1233 W St. Georges Ave., Linden, NJ 07036 * 908-925-7500* 908-925-9240

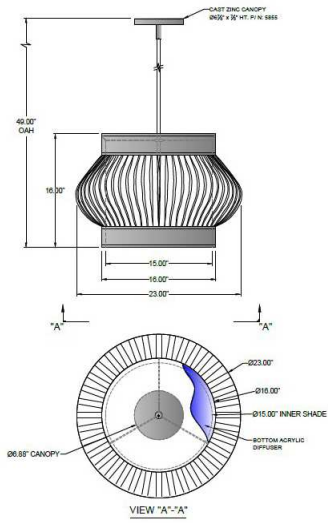
SPECIFICATIONS

PD-5855-115-96-902SN	Pendant
Model Number	Type
Moderno	Project
Name	QTY



Describe Special Modifications

Warranty: 1-Year Limited Warranty,
Complete warranty terms located at: www.litetopslampshades.com



CATALOG NUMBER Example: PD-5855-115-96-902SN-E26X3-120V						
Hardware Style Code	Fabric/Material/Color Options	Series Code	Finish Options	Lamping	Voltage	Other Size Options
PD-5855	115-01 White Linen 115-05 Off White Linen 115-62 Black Linen 115-73 Gray Butcher Linen 143-26 Geneva Linen Ash 145-01 White Aberdeen 145-09 Cream Aberdeen 174-21 Tan Silk Shantung 174-25 Chocolate Silk Shantung 151-97 Silver Organza 136-46 Crossant Silksheen 142-01 Global White 141-04 Calfskin 174-05 Of tWhite Silk Shantung More options at www.litetops.com	902	AB - Antique Brass APW - Aged Pewter DW - Distressed White GWH - Gloss White MBK - Matte Black OB - Oxidized Bronze ORB - Oil Rubbed Bronze PHB - Polished Honey Brass PW - Pewter RST - Rust SN - Satin Nickel WH - Flat White 007 - 007 Silver More options at www.stiffel.com	E26X3 -3 Medium Based GU24X3- 3 GU24 CFL	120V 120V 277V 277V	