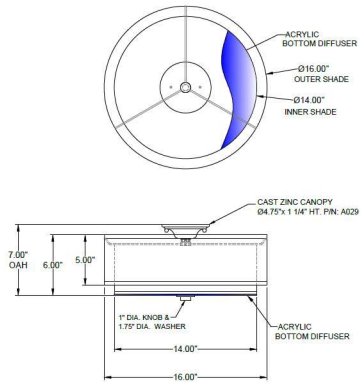




1233 W St. Georges Ave., Linden, NJ 07036 * 908-925-7500* 908-925-9240

SPECIFICATIONS



FM-A029-136-50-265SN	Flushmount
Model Number	Type
Double Cylinders	
Name	Project
	QTY



Describe Special Modifications

Warranty: 1-Year Limited Warranty,
Complete warranty terms located at: www.litetopslampshades.com

CATALOG NUMBER Example: FM-A209-136-50-265SN-E26X2						
Hardware Style Code	Fabric/Material/Color Options	Series Code	Finish Options	Lamping	Voltage	Other Size Options
FM-A209	115-01 White Linen 115-05 Off White Linen 115-62 Black Linen 115-73 Gray Butcher Linen 115-96 Red Linen 124-70 Teal Pongee Silk 136-50 Platinum Silkscreen 142-01 Global White 143-26 Geneva Linen Ash 145-01 White Aberdeen 145-09 Cream Aberdeen 174-21 Tan Silk Shantung 174-25 Chocolate Silk Shantung 151-56 Gold Organza 151-97 Silver Organza 151-62 Black Organza 151-69 Cocoa Organza More options at litetops.com	265	AB - Antique Brass APW - Aged Pewter DW - Distressed White GWH - Gloss White MBK - Matte Black OB - Oxidized Bronze ORB - Oil Rubbed Bronze OCB - Oculux Bronze PHB - Polished Honey Brass PW - Pewter RST - Rust SN - Satin Nickel WFH - Flat White SVPC - Silver Powder Coat More options at www.litetops.com	E26X2 - 2 Medium Based GU24X2 - 2 GU24 CFL LEDMOD2700K - LED Module, 2700K, 2600 LM Per Board LEDMOD3000K - LED Module, 3000K, 2680 LM Per Board LEDMOD3500K - LED Module, 3500K, 2720 LM Per Board LEDMOD4000K - LED Module, 4000K, 2820 LM Per Board (Accepts 1 Board)	120V 120V 277V 277V	