



1233 W St. Georges Ave., Linden, NJ 07036 \* 908-925-7500\* 908-925-9240

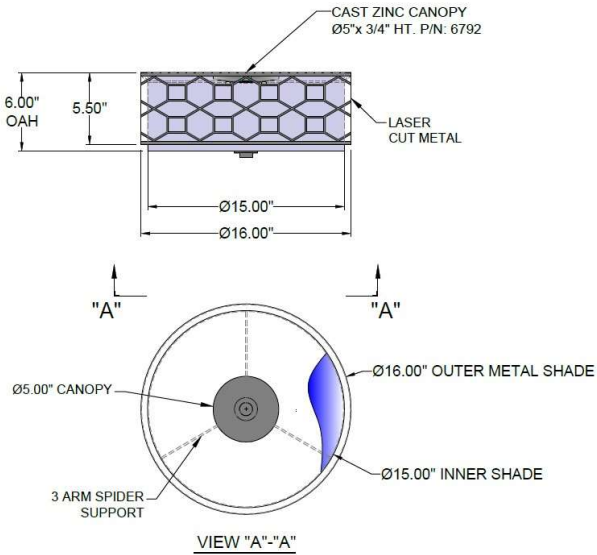
**SPECIFICATIONS**

<b>FM-6792-115-01-2045-SN</b>	<b>Flush Mount</b>
Model Number	Type
<b>Gem Style Laser Cut Flush Mount</b>	<b>Project</b>
Name	Project
	<b>QTY</b>



**Describe Special Modifications**

**Warranty:** 1-Year Limited Warranty.  
Complete warranty terms located at: [www.litetops.com](http://www.litetops.com)



CATALOG NUMBER Example: FM-6792-115-01-2045-SN-E26X2-120V						
Hardware Style Code	Fabric/Material/Color Options	Series Code	Finish Options	Lamping	Voltage	Other Size Options
<b>FM- 6792</b>	<b>Outer</b> LCM - Laser Cut Metal  <b>Inner</b> 115-01 White Linen 115-05 Off White Linen 115-62 Black Linen 115-73 Gray Butcher Linen 115-96 Red Linen 124-70 Teal Pongee Silk 142-01 Global White 143-26 Geneva Linen Ash 143-27 Oatmeal Linen 145-01 White Aberdeen 145-09 Cream Aberdeen 174-21 Tan Silk Shantung 174-25 Chocolate Silk Shantung 189-21 Tan Shadow  More options at <a href="http://www.litetops.com">www.litetops.com</a>	<b>2045</b>	<b>APW</b> - Aged Pewter <b>DB</b> - Dark Bronze <b>GWH</b> - Gloss White <b>MBK</b> - Matte Black <b>OB</b> - Oil Rubbed Bronze <b>OCB</b> - Oculux Bronze <b>SN</b> - Satin Nickel <b>SVPC</b> - Silver Powder Coat	<b>E26X2</b> - 2 Medium Based <b>GU24X2</b> - 2 GU24 CFL <b>LEDMOD2700K</b> - LED Module, 2700K, 2600 LM Per Board <b>LEDMOD3000K</b> - LED Module, 3000K, 2680 LM Per Board <b>LEDMOD3500K</b> - LED Module, 3500K, 2720 LM Per Board <b>LEDMOD4000K</b> - LED Module, 4000K, 2820 LM Per Board (Accepts 1 LED Board Per Fixture)	<b>120V 120V</b> <b>277V 277V</b>	