



1233 W St. Georges Ave., Linden, NJ 07036 * 908-925-7500* 908-925-9240

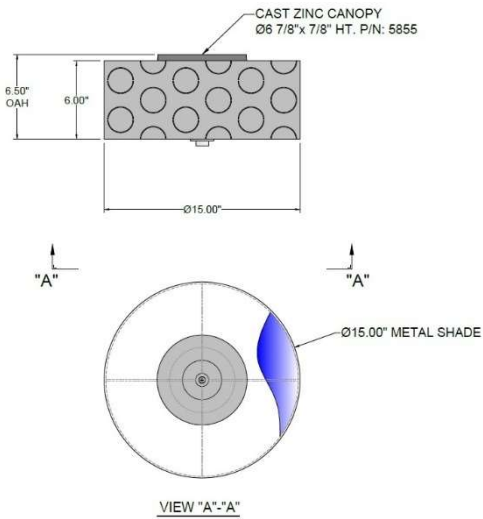
SPECIFICATIONS

FM-5855-LCMCI-2035-GWH	Flush Mount
Model Number	Type
Laser Cut Circles	
Name	Project
	QTY



Describe Special Modifications

Warranty: 1-Year Limited Warranty.
 Complete warranty terms located at: www.litetopslampshades.com



CATALOG NUMBER						
Example: FM-5855-LCMCI-2035-GWH-E26X2-120V						
Hardware Style Code	Fabric/Material/Color Options	Series Code	Finish Options	Lamping	Voltage	Other Size Options
FM-5855	LCMCI - Laser Cut Metal (Circles) More options at www.litetops.com	2035	APW - Aged Pewter DB - Dark Bronze GWH - Gloss White MBK - Matte Black OB - Oil Rubbed Bronze OCB - Oculux Bronze SVPC - Silver Powder Coat SN - Satin Nickel	E26X2 - 2 Medium Based GU24X2 - 2 GU24 CFL LEDMOD2700K - LED Module, 2700K, 2600 LM Per Board LEDMOD3000K - LED Module, 3000K, 2680 LM Per Board LEDMOD3500K - LED Module, 3500K, 2720 LM Per Board LEDMOD4000K - LED Module, 4000K, 2820 LM Per Board (Accepts 1 LED Board Per Fixture)	120V 120V 277V 277V	