



1233 W St. Georges Ave., Linden, NJ 07036 * 908-925-7500* 908-925-9240

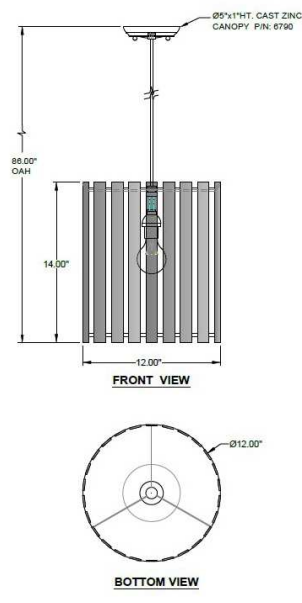
SPECIFICATIONS

Custom Style #31	Fixture
Model Number	Type
Custom	
Name	Project
	QTY



Describe Special Modifications

Warranty: 1-Year Limited Warranty,
Complete warranty terms located at: www.litetopslampshades.com



CATALOG NUMBER
Example: Custom Style #31

Hardware Style Code	Fabric/Material/Color Options	Series Code	Finish Options	Lamping	Voltage	Other Size Options
Custom Style #31	115-01 White Linen 115-05 Off White Linen 115-62 Black Linen 115-73 Gray Butcher Linen 143-26 Geneva Linen Ash 145-01 White Aberdeen 145-09 Cream Aberdeen 174-21 Tan Silk Shantung 174-25 Chocolate Silk Shantung 151-97 Silver Organza 136-46 Crossant Silksheen 142-01 Global White 141-04 Calfskin 174-05 OffWhite Silk Shantung More options at www.litetops.com *Fabric Applied over Laser Cut Steel		AB - Antique Brass APW- Aged Pewter DW- Distressed White GWH - Gloss White MBK - Matte Black OB- Oxidized Bronze ORB - Oil Rubbed Bronze PHB - Polished Honey Brass PW- Pewter RST - Rust SN - Satin Nickel WH - Flat White 007 - 007 Silver More options at www.stiffel.com	E26X1 -1 Medium Based GU24X1- 1 GU24 CFL	120V 120V 277V 277V	